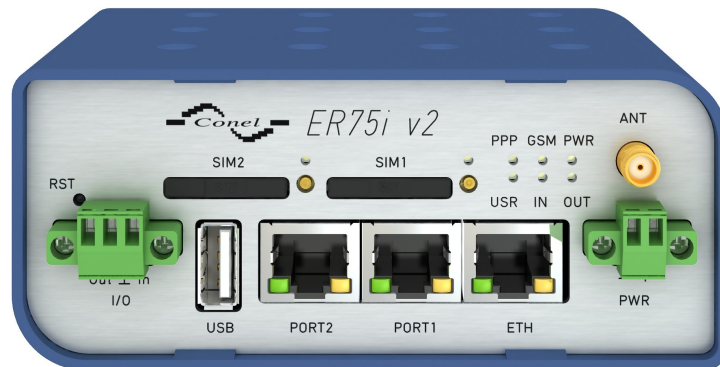


User Module

Easy VPN Client

APPLICATION NOTE



ADVANTECH

Used symbols



Danger – Information regarding user safety or potential damage to the router.



Attention – Problems that may arise in specific situations.



Information or notice – Useful tips or information of special interest.



Example – example of function, command or script.



Contents

1	Description of user module	1
2	Configuration of user module	2
3	Recommended literature	3

List of Figures

1	Model diagram	1
2	Configuration form	2

List of Tables

1	Description of items in configuration form	2
---	--	---

1. Description of user module



User module *Easy VPN client* is not contained in the standard router firmware. Uploading of this user module is described in the Configuration manual (see [1, 2]).



The user module is v2 and v3 router platforms compatible.

This module allows to establish a secure (encrypted) connection between LAN network behind Advantech router and LAN network behind CISCO router.

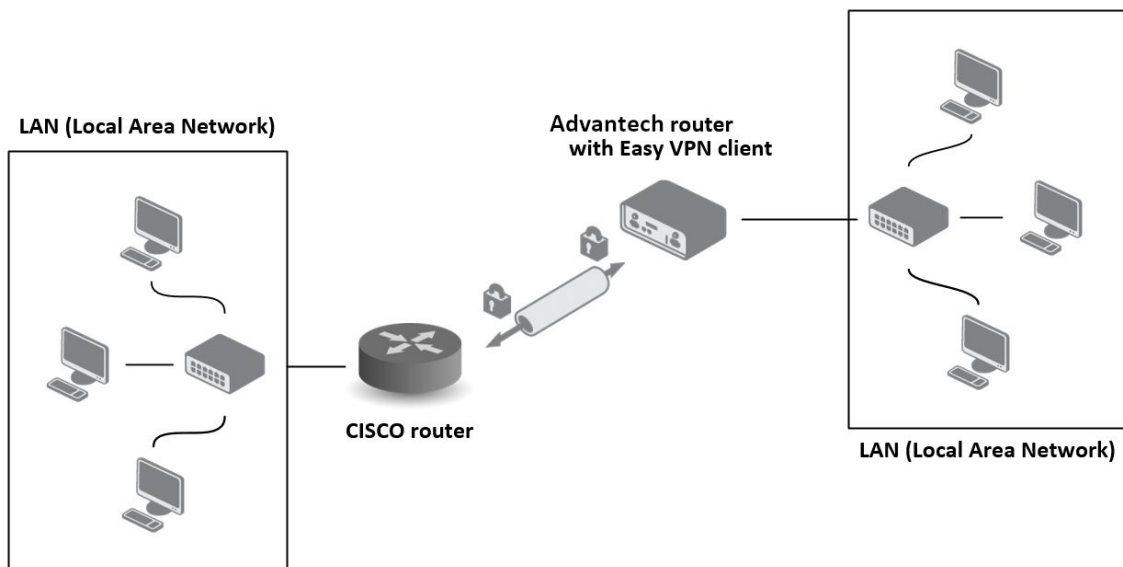


Figure 1: Model diagram

For configuration *Easy VPN client* user module is available web interface, which is invoked by pressing the module name on the *User modules* page of the router web interface. The left part of the web interface (ie. menu) contains only the *Return* item, which switches this web interface to the interface of the router.

2. Configuration of user module

The actual configuration of this user module is performed via the form on the right side. The first item in this form – *Enable Easy VPN client* – is used to activate these user module, ie. the creation of the tunnel. Meaning of other items is described in the table below:

Item	Description
Gateway Address	IP address of CISCO router
ID	Group ID in CISCO router
Secret	Password of group in CISCO router
Username	Username of user founded in CISCO router
Password	Password of user founded in CISCO router

Table 1: Description of items in configuration form

At the bottom of the configuration form is also available the *Masquerade outgoing packets* item which turns on system of address translation NAT (basically, this is an alternative name for the address translation system – NAT).

All changes will take effect after pressing the *Apply* button.

Figure 2: Configuration form



The moment the tunnel is established, a new interface tun0 is displayed on the *Network status* page of the router web interface.

3. Recommended literature

- [1] Advantech B+B SmartWorx: **v2 Routers Configuration Manual** (MAN-0021-EN)
- [2] Advantech B+B SmartWorx: **SmartFlex Configuration Manual** (MAN-0023-EN)
- [3] Advantech B+B SmartWorx: **SmartMotion Configuration Manual** (MAN-0024-EN)
- [4] Advantech B+B SmartWorx: **SmartStart Configuration Manual** (MAN-0022-EN)
- [5] Advantech B+B SmartWorx: **ICR-3200 Configuration Manual** (MAN-0042-EN)



Product related documents can be obtained on *Engineering Portal* at <https://ep.advantech-bb.cz/> address.